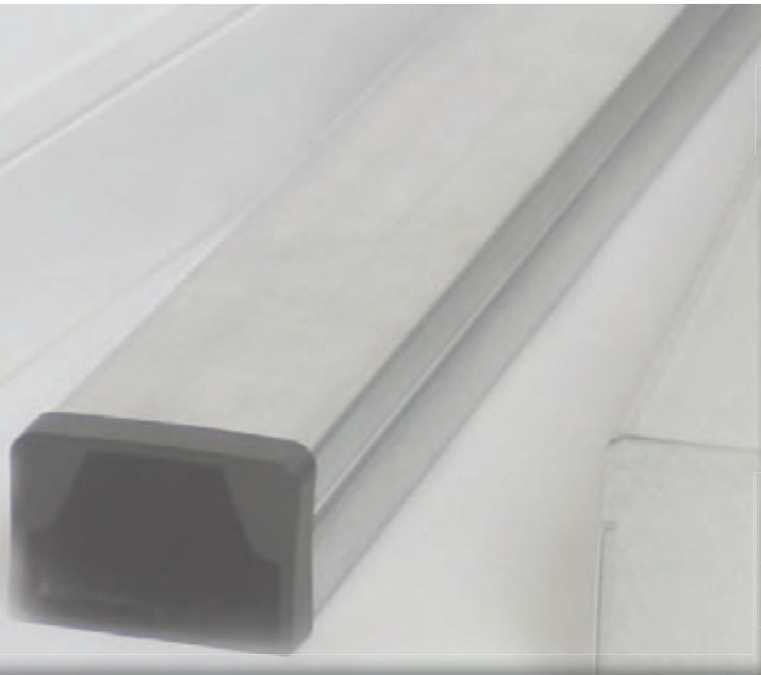




CHANNEL CABLE TRAY

- Channel Cable Tray
- Accessories
- Fittings





Niedax channel cable trays are designed for routing low voltage power circuits, data network and control cables in commercial, institutional and industrial applications. The system consists of a base section with a snap cover, dividers and a wide range of fittings. It's easy to install, expand and reconfigure. Direct wall mount is permitted. Various finishes are available.

LLK 60...



LUK 40...



LUTC 60...



LED 60...



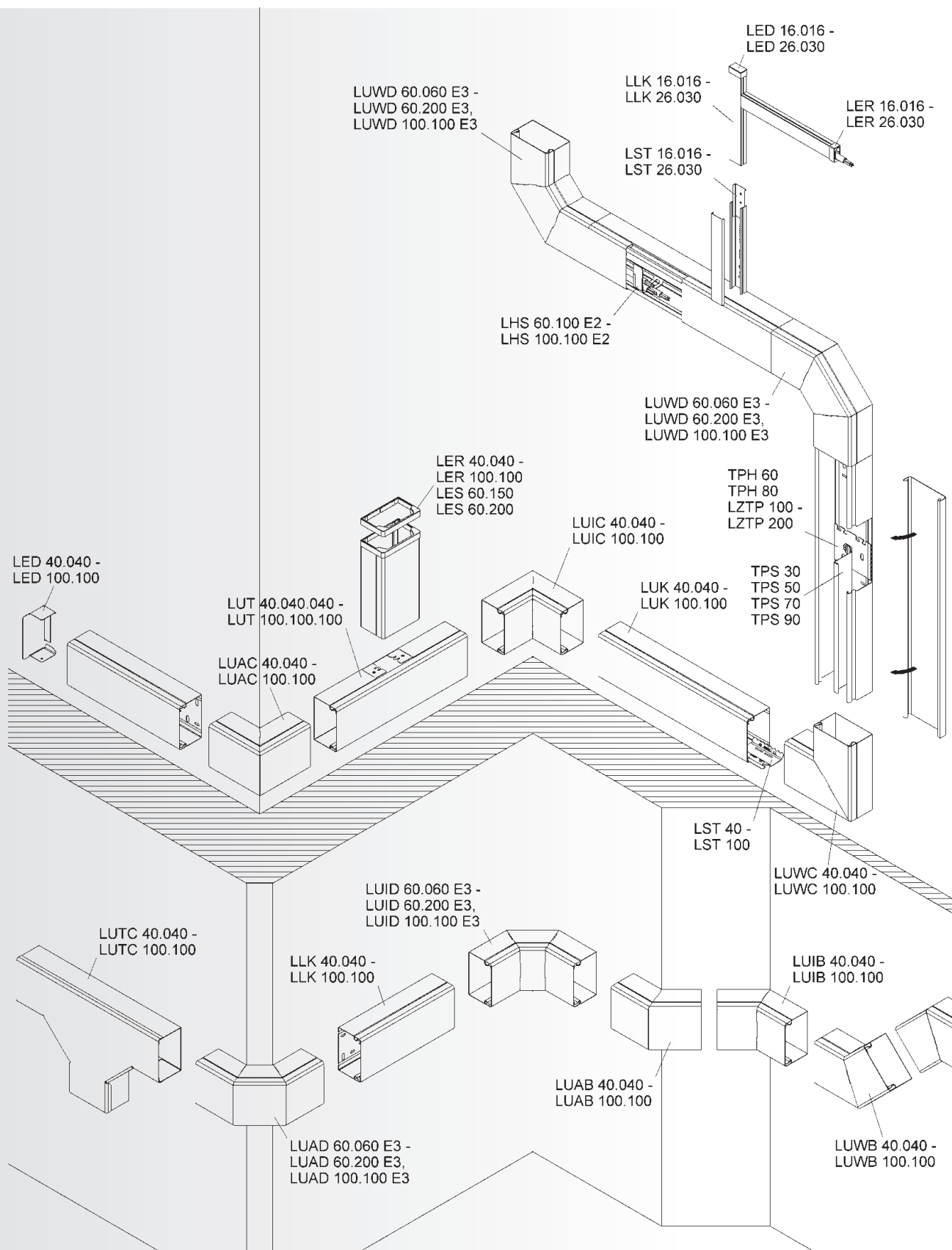
CHANNEL CABLE TRAY

Available Side Rail Heights



SYSTEM	Channel Cable Tray	LLK...	Page 347/349
	Channel Cable Tray	LUK...	Page 350
ACCESSORIES	Splice Plate	LST...	Page 348/350
	End-Cap	LED...	Page 348/355
	End-Protection Ring	LER...	Page 348/356
	Mounting Plate for Divider	TPH...	Page 350
	Mounting Plate for Divider	LZTP...	Page 350
	Divider	TPS...	Page 351
	Outside Elbow 45°	LUAB...	Page 351
	Inside Elbow 45°	LUIB...	Page 351
	Elbow 45°	LUWB...	Page 352
	Outside Elbow 90°	LUAC..	Page 352
	Outside Wide Radius Elbow (2x45°)	LUAD...	Page 352
	Inside Elbow 90°	LUIC...	Page 353
	Wide Radius Elbow (2x45°)	LUID...	Page 353
	Elbow 90°	LUWC...	Page 353
	Wide Radius Elbow (2x45°)	LUWD...	Page 354
	Wide Radius Tee	LUTC...	Page 354
	Horizontal Tee	LUT..	Page 354/355
	Cable Retainer Clamp	LHS...	Page 355
	End-Protection Ring	LES...	Page 356





Channel Cable Tray Specifications:

➔ A. CABLE TRAY DESIGN

1. Channel Cable Tray shall be made of straight sections, fittings and accessories as defined in the latest NEMA standards per NEMA VE-1. Standard cable trays shall be UL classified as equipment grounding conductors.

➔ B. MATERIAL

1. **Pre-galvanized steel.** The structural quality of the steel shall meet the minimum yield and tensile strength of the ASTM standards (ASTM A 653) with G 90 coating thickness. All cable trays to be labeled for material identification purposes.
2. **Powder coated pre-galvanized steel.** All trays to be made from pre-galvanized steel and powder coated after fabrication. All trays to be labeled for material identification.
3. **Stainless steel.** All trays are to be constructed of AISI type 304 or type 316 stainless steel. All trays to be labeled for material identification.

➔ C. TRAY TYPES

1. **Solid channel cable tray.** Trays are to be fabricated from continuous roll-formed structural quality steel. Sides are to be solid as well as bottom for maximum cable enclosure and support.
2. **Solid channel cable tray with mounting holes.** Trays are to be fabricated from continuous roll-formed structural quality steel. Sides are to be solid, bottom has predrilled mounting holes for easy installation.

➔ D. TRAY SIZE

1. **Height:** Trays shall have an overall height of 1", 1.5", 2.3", 3.1", and 4" (26, 40, 60, 80 and 100 mm). Loading depth is the same as the overall height, as there are no rungs to reduce the fill of the tray.
2. **Width:** Widths shall be 1", 1.5", 2.3", 3.1", 4", 6", and 8" (30, 40, 60, 80, 100, 150 and 200 mm).
3. **Length:** Length shall be a nominal 6.6' or 2 meters.

➔ E. ACCESSORIES

1. **Covers.** Covers to protect tray cable shall be supplied automatically with every piece of channel tray and every fitting.
2. **Splice plates.** Splice plates have to be ordered separately for all straight sections and fittings.
3. **Other accessories** shall be furnished as required to protect, support, and install a cable tray system. Fittings shall be made of the same material as the cable tray whenever possible. Fittings can be of factory construction or may also be of a type that allows field constructed fittings.

➔ F. LOADING CAPABILITIES

1. Channel cable tray shall meet the load/span class designation in accordance with NEMA VE 1 and CSA C22.2 No 126.1. Cable tray shall also meet load/span designation in accordance with IEC 61537.

➔ G. DESIGN AND MANUFACTURE

1. Cable tray design shall be manufactured by The Niedax Group, series LLK and LUK.



Channel Cable Tray

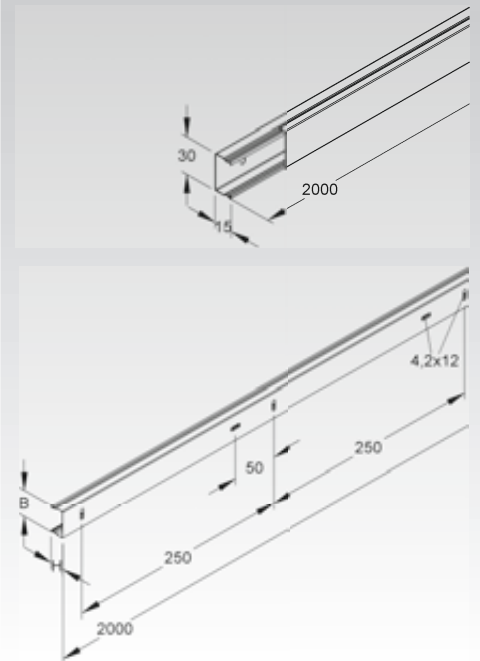
cover included

	Model no.	Height H		Width B		Weight per 100 m kg	Pack/ Box Qty
		mm	Inch	mm	Inch		
S	LLK 16.016	16	0,6	16	0,6	31,33	48 x 2 m
S	LLK 16.030	16	0,6	30	1,2	42,50	30 x 2 m
E3	LLK 16.016 E3	16	0,6	16	0,6	15,00	48 x 2 m
E3	LLK 16.030 E3	16	0,6	30	1,2	18,00	30 x 2 m

Please use LST... snapin splice plates for proper mechanical and electrical connections.
Splice plates have to be ordered separately.



91



Channel Cable Tray

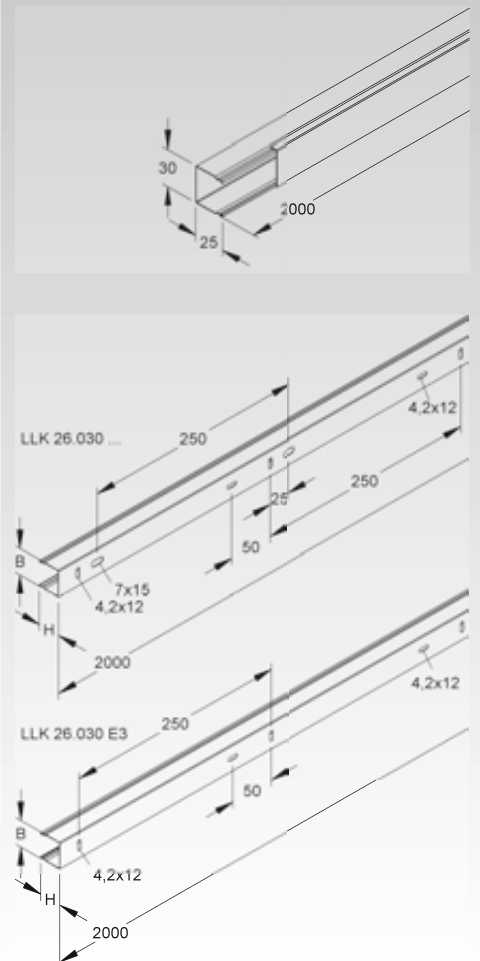
cover included

	Model no.	Height H		Width B		Weight per 100 m kg	Pack/ Box Qty
		mm	Inch	mm	Inch		
S	LLK 26.030	26	1	30	1,2	52,50	18 x 2 m
E3	LLK 26.030 E3	26	1	30	1,2	50,48	18 x 2 m

Please use LST... snapin splice plates for proper mechanical and electrical connections.
Splice plates have to be ordered separately.



91



CHANNEL CABLE TRAY

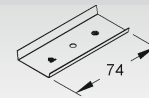
Splice Plate

Model no.	Length L	Weight per 100 pcs kg	Pack/ Box Qty
	mm Inch		
MS LST 16.016	74 2,9	0,62	20
MS LST 16.030	74 2,9	0,99	20
MS LST 26.030	74 2,9	1,30	20

mechanical splice and electrical connector for raceways

1 piece required per joint

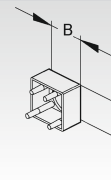
↑ Height 16 mm	↑ Nominal ¾ Inches	↑ Height 26 mm	↑ Nominal 1 Inches
----------------------	--------------------------	----------------------	--------------------------



End-Cap

Model no.	Height H	Width B	Color	Weight per 100 pcs kg	Pack/ Box Qty
	mm Inch	mm Inch			
K04 LED 16.016	16 0,6	16 0,6	black	0,10	20
K04 LED 16.030	16 0,6	30 1,2	black	0,18	20
K04 LED 26.030	26 1	30 1,2	black	0,23	20

↑ Height 16 mm	↑ Nominal ¾ Inches	↑ Height 26 mm	↑ Nominal 1 Inches	44	45
----------------------	--------------------------	----------------------	--------------------------	----	----



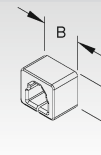
End-Protection Ring

Model no.	Height H	Width B	Similar to RAL	Weight per 100 pcs kg	Pack/ Box Qty
	mm Inch	mm Inch			
K04 LER 16.016	16 0,6	16 0,6	7021	0,15	20
K04 LER 16.030	16 0,6	30 1,2	7021	0,21	20
K04 LER 26.030	26 1	30 1,2	7021	0,27	20

contains no silicone

End caps LER... can be attached to the channel cable tray after installation.

↑ Height 16 mm	↑ Nominal ¾ Inches	↑ Height 26 mm	↑ Nominal 1 Inches		44	45
----------------------	--------------------------	----------------------	--------------------------	--	----	----



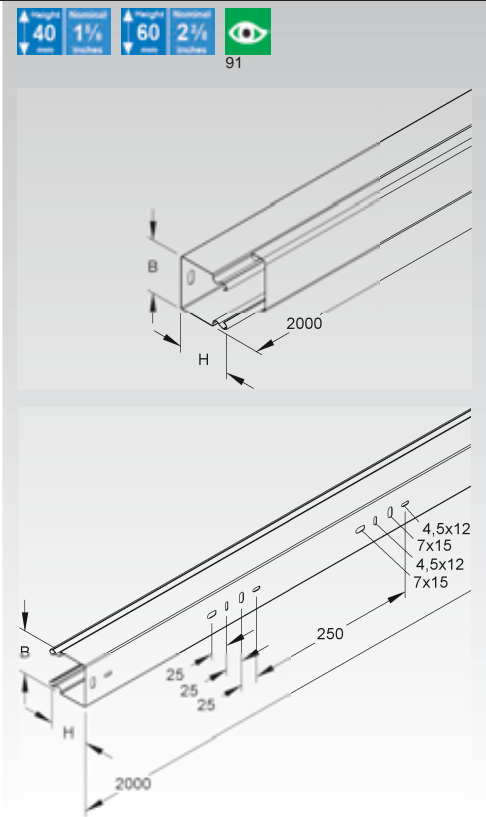
Channel Cable Tray

with perforated bottom, cover included

	Model no.	Height H		Width B		Weight per 100 m kg	Pack/Box Qty
		mm	Inch	mm	Inch		
S	LLK 40.040	40	1,6	40	1,6	94,47	12 x 2 m
S	LLK 40.060	40	1,6	60	2,4	132,36	6 x 2 m
S	LLK 60.060	60	2,4	60	2,4	174,76	6 x 2 m
E3	LLK 40.040 E3	40	1,6	40	1,6	95,07	12 x 2 m
E3	LLK 40.060 E3	40	1,6	60	2,4	133,21	6 x 2 m
E3	LLK 60.060 E3	60	2,4	60	2,4	175,11	6 x 2 m

Hole pattern may vary based on width of tray.

Please use LST... snapin splice plates for proper mechanical and electrical connections.



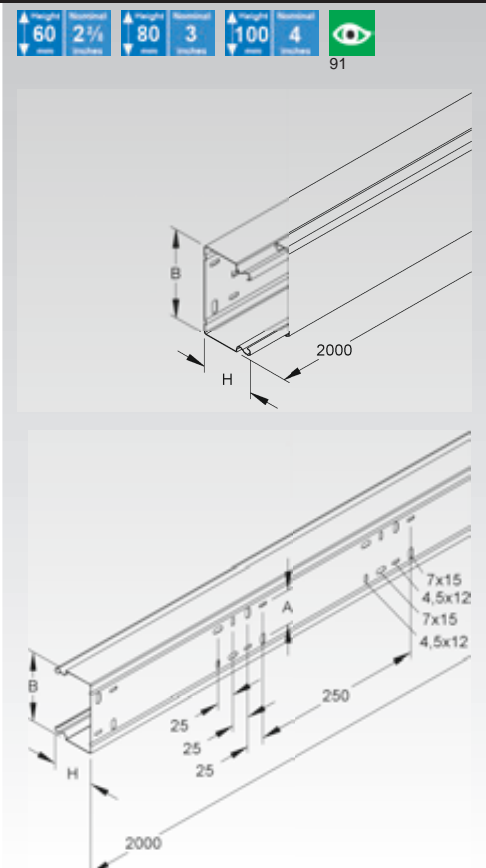
Channel Cable Tray

with perforated bottom, cover included

	Model no.	Height H		Width B		Distance between drilling holes A mm	Weight per 100 m kg	Pack/Box Qty
		mm	Inch	mm	Inch			
S	LLK 60.100	60	2,4	100	3,9	50	235,04	4 x 2 m
S	LLK 60.150	60	2,4	150	5,9	100	351,30	2 x 2 m
S	LLK 60.200	60	2,4	200	7,9	150	421,95	2 x 2 m
S	LLK 80.080	80	3,1	80	3,1	30	233,90	4 x 2 m
S	LLK 100.100	100	3,9	100	3,9	50	319,69	4 x 2 m
E3	LLK 60.100 E3	60	2,4	100	3,9	50	249,50	4 x 2 m
E3	LLK 60.200 E3	60	2,4	200	7,9	150	375,89	2 x 2 m
E3	LLK 80.080 E3	79	3,1	80	3,1	30	249,76	4 x 2 m
E3	LLK 100.100 E3	100	3,9	100	3,9	50	298,67	4 x 2 m

Hole pattern may vary based on width of tray.

Please use LST... snapin splice plates for proper mechanical and electrical connections.



CHANNEL CABLE TRAY

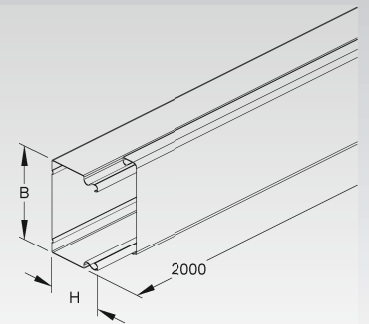
Channel Cable Tray

solid bottom, including cover

	Model no.	Height H		Width B		Weight per 100 m kg	Pack/Box Qty
		mm	Inch	mm	Inch		
S	LUK 40.040	40	1,6	40	1,6	94,88	12 x 2 m
S	LUK 40.060	40	1,6	60	2,4	132,89	6 x 2 m
S	LUK 60.060	60	2,4	60	2,4	175,45	6 x 2 m
S	LUK 60.100	60	2,4	100	3,9	236,45	4 x 2 m
S	LUK 60.150	60	2,4	150	5,9	353,06	2 x 2 m
S	LUK 60.200	60	2,4	200	7,9	423,71	2 x 2 m
S	LUK 80.080	79	3,1	80	3,1	235,35	4 x 2 m
S	LUK 100.100	100	3,9	100	3,9	321,25	4 x 2 m
E3	LUK 40.040 E3	40	1,6	40	1,6	95,42	12 x 2 m
E3	LUK 40.060 E3	40	1,6	60	2,4	133,73	6 x 2 m
E3	LUK 60.060 E3	60	2,4	60	2,4	184,47	6 x 2 m
E3	LUK 60.100 E3	60	2,4	100	3,9	253,48	4 x 2 m
E3	LUK 60.200 E3	60	2,4	200	7,9	380,24	2 x 2 m
E3	LUK 80.080 E3	79	3,1	80	3,1	252,26	4 x 2 m

Please use LST... snapin splice plates for proper mechanical and electrical connections.

↑ 40 1% ↓
↑ 60 2% ↓
↑ 80 3 ↓
↑ 100 4 ↓



Splice Plate

with flat contact pin (6,3 mm) for protective grounding

	Model no.	Height H		Weight per 100 pcs kg	Pack/Box Qty
		mm	Inch		
S	LST 40	40	1,6	1,77	20
S	LST 60	60	2,4	2,71	20
S	LST 80	80	3,1	3,70	20
S	LST 100	100	3,9	4,63	20
E3	LST 40 E3	40	1,6	1,88	20
E3	LST 60 E3	60	2,4	2,88	20
E3	LST 80 E3	80	3,1	3,85	20
E3	LST 100 E3	100	3,9	4,90	20

mechanical splice and electrical connector for channel cable tray

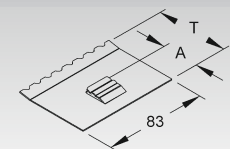
2 pieces required per joint

↑ 40 1% ↓
↑ 60 2% ↓
↑ 80 3 ↓
↑ 100 4 ↓



Mounting Plate for Divider

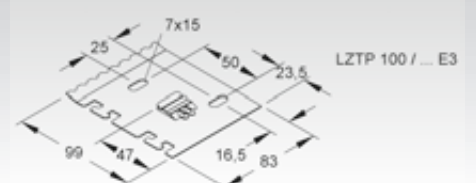
	Model no.	Depth T	Dist. A		Weight per 100 pcs kg	Pack/Box Qty
		mm	mm	Inch		
S	TPH 60	59	30	1,2	3,44	20
S	TPH 80	79	37	1,5	4,58	20
E3	TPH 60 E3	59	30	1,2	3,08	20
E3	TPH 80 E3	79	37	1,5	4,50	20



Mounting Plate for Divider

with strain relief

	Model no.	Depth T	Weight per 100 pcs kg	Pack/Box Qty
		mm		
S	LZTP 100	99	5,48	20
S	LZTP 150	149	8,29	20
S	LZTP 200	199	11,10	20
E3	LZTP 100 E3	99	6,13	20
E3	LZTP 200 E3	199	12,41	20



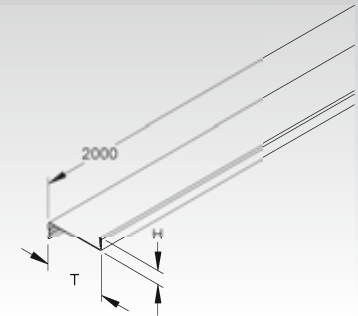
Divider

	Model no.	Height H		Depth T	Weight per 100 m kg	Pack/Box Qty
		mm	Inch			
S	TPS 30	11	0,4	30	36,47	10 x 2 m
S	TPS 50	11	0,4	50	48,31	10 x 2 m
S	TPS 70	11	0,4	70	59,97	10 x 2 m
S	TPS 90	11	0,4	90	71,72	10 x 2 m
E3	TPS 50 E3	11	0,4	50	51,73	10 x 2 m
E3	TPS 90 E3	11	0,4	90	76,86	10 x 2 m

to separate wires and cables of different voltage levels or with different functions

Suitable for: channel cable tray LLK... and LUK...

Height 30 mm	Standard 1 1/4 Inches	Height 50 mm	Standard 2 Inches	Height 70 mm	Standard 2 3/4 Inches	Height 90 mm	Standard 3 3/4 Inches
--------------------	-----------------------------	--------------------	-------------------------	--------------------	-----------------------------	--------------------	-----------------------------



Outside Elbow 45°

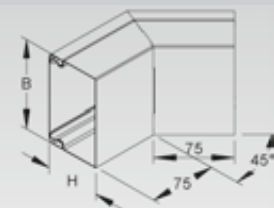
cover included

	Model no.	Height H		Width B		Weight per 100 pcs kg	Pack/Box Qty
		mm	Inch	mm	Inch		
S	LUAB 40.040	40	1,6	40	1,6	17,96	8
S	LUAB 40.060	40	1,6	60	2,4	25,31	8
S	LUAB 60.060	60	2,4	60	2,4	35,61	8
S	LUAB 60.100	60	2,4	100	3,9	45,61	8
S	LUAB 60.150	60	2,4	150	5,9	63,83	4
S	LUAB 60.200	60	2,4	200	7,9	76,82	4
S	LUAB 80.080	80	3,1	80	3,1	46,28	4
S	LUAB 100.100	100	3,9	100	3,9	67,99	4
E3	LUAB 40.040 E3	40	1,6	40	1,6	18,21	1
E3	LUAB 40.060 E3	40	1,6	60	2,4	25,66	1
E3	LUAB 60.060 E3	60	2,4	60	2,4	42,00	1
E3	LUAB 60.100 E3	60	2,4	100	3,9	50,15	1
E3	LUAB 60.200 E3	60	2,4	200	7,9	72,00	1
E3	LUAB 80.080 E3	80	3,1	80	3,1	46,00	1
E3	LUAB 100.100 E3	100	3,9	100	3,9	57,00	1

Please use LST... snapin splice plates for proper mechanical and electrical connections.

Splice plates have to be ordered separately.

Height 40 mm	Standard 1 1/4 Inches	Height 60 mm	Standard 2 1/4 Inches	Height 80 mm	Standard 3 Inches	Height 100 mm	Standard 4 Inches
--------------------	-----------------------------	--------------------	-----------------------------	--------------------	-------------------------	---------------------	-------------------------



Inside Elbow 45°

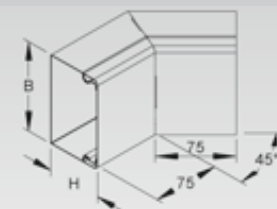
cover included

	Model no.	Height H		Width B		Weight per 100 pcs kg	Pack/Box Qty
		mm	Inch	mm	Inch		
S	LUIB 40.040	40	1,6	40	1,6	16,65	8
S	LUIB 40.060	40	1,6	60	2,4	23,42	8
S	LUIB 60.060	60	2,4	60	2,4	32,89	8
S	LUIB 60.100	60	2,4	100	3,9	41,19	8
S	LUIB 60.150	60	2,4	150	5,9	61,84	4
S	LUIB 60.200	60	2,4	200	7,9	74,45	4
S	LUIB 80.080	80	3,1	80	3,1	42,98	8
S	LUIB 100.100	100	3,9	100	3,9	61,38	4
E3	LUIB 40.040 E3	40	1,6	40	1,6	16,82	1
E3	LUIB 40.060 E3	40	1,6	60	2,4	23,67	1
E3	LUIB 60.060 E3	60	2,4	60	2,4	36,00	1
E3	LUIB 60.100 E3	60	2,4	100	3,9	46,10	1
E3	LUIB 60.200 E3	60	2,4	200	7,9	71,00	1
E3	LUIB 80.080 E3	80	3,1	80	3,1	45,00	1
E3	LUIB 100.100 E3	100	3,9	100	3,9	56,00	1

Please use LST... snapin splice plates for proper mechanical and electrical connections.

Splice plates have to be ordered separately.

Height 40 mm	Standard 1 1/4 Inches	Height 60 mm	Standard 2 1/4 Inches	Height 80 mm	Standard 3 Inches	Height 100 mm	Standard 4 Inches
--------------------	-----------------------------	--------------------	-----------------------------	--------------------	-------------------------	---------------------	-------------------------



CHANNEL CABLE TRAY

Elbow 45°

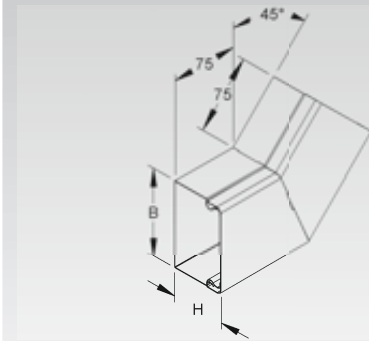
cover included

	Model no.	Height H		Width B		Weight per 100 pcs kg	Pack/Box Qty
		mm	Inch	mm	Inch		
S	LUWB 40.040	40	1,6	40	1,6	16,87	8
S	LUWB 40.060	40	1,6	60	2,4	25,24	8
S	LUWB 60.060	60	2,4	60	2,4	33,97	8
S	LUWB 60.100	60	2,4	100	3,9	46,20	8
S	LUWB 60.150	60	2,4	150	5,9	76,66	4
S	LUWB 60.200	60	2,4	200	7,9	101,32	4
S	LUWB 80.080	80	3,1	80	3,1	44,06	8
S	LUWB 100.100	100	3,9	100	3,9	65,01	4
E3	LUWB 40.040 E3	40	1,6	40	1,6	17,05	1
E3	LUWB 40.060 E3	40	1,6	60	2,4	25,53	1
E3	LUWB 60.060 E3	60	2,4	60	2,4	38,00	1
E3	LUWB 60.100 E3	60	2,4	100	3,9	52,22	1
E3	LUWB 60.200 E3	60	2,4	200	7,9	85,00	1
E3	LUWB 80.080 E3	80	3,1	80	3,1	45,00	1
E3	LUWB 100.100 E3	100	3,9	100	3,9	56,00	1

Please use LST... snapin splice plates for proper mechanical and electrical connections.

Splice plates have to be ordered separately.

↑ Height 40 mm	↑ Nominal 1 1/4 Inches	↑ Height 60 mm	↑ Nominal 2 1/4 Inches	↑ Height 80 mm	↑ Nominal 3 Inches	↑ Height 100 mm	↑ Nominal 4 Inches
----------------------	------------------------------	----------------------	------------------------------	----------------------	--------------------------	-----------------------	--------------------------



Outside Elbow 90°

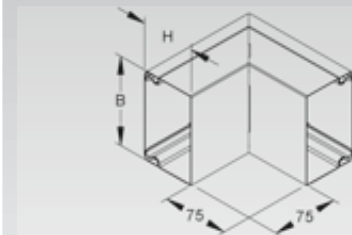
cover included

	Model no.	Height H		Width B		Weight per 100 pcs kg	Pack/Box Qty
		mm	Inch	mm	Inch		
S	LUAC 40.040	40	1,6	40	1,6	22,39	8
S	LUAC 40.060	40	1,6	60	2,4	31,23	8
S	LUAC 60.060	60	2,4	60	2,4	42,98	8
S	LUAC 60.100	60	2,4	100	3,9	54,63	8
S	LUAC 60.150	60	2,4	150	5,9	77,54	4
S	LUAC 60.200	60	2,4	200	7,9	93,17	4
S	LUAC 80.080	80	3,1	80	3,1	58,70	8
S	LUAC 100.100	100	3,9	100	3,9	90,14	4
E3	LUAC 40.040 E3	40	1,6	40	1,6	22,83	1
E3	LUAC 40.060 E3	40	1,6	60	2,4	31,81	1
E3	LUAC 60.060 E3	60	2,4	60	2,4	53,00	1
E3	LUAC 60.100 E3	60	2,4	100	3,9	60,00	1
E3	LUAC 60.200 E3	60	2,4	200	7,9	90,00	1
E3	LUAC 80.080 E3	80	3,1	80	3,1	65,00	1
E3	LUAC 100.100 E3	100	3,9	100	3,9	98,00	1

Please use LST... snapin splice plates for proper mechanical and electrical connections.

Splice plates have to be ordered separately.

↑ Height 40 mm	↑ Nominal 1 1/4 Inches	↑ Height 60 mm	↑ Nominal 2 1/4 Inches	↑ Height 80 mm	↑ Nominal 3 Inches	↑ Height 100 mm	↑ Nominal 4 Inches
----------------------	------------------------------	----------------------	------------------------------	----------------------	--------------------------	-----------------------	--------------------------



Outside Wide Radius Elbow (2x45°)

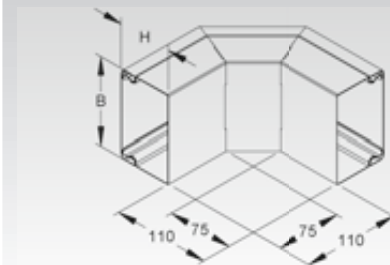
cover included

	Model no.	Height H		Width B		Weight per 100 pcs kg	Pack/Box Qty
		mm	Inch	mm	Inch		
S	LUAD 60.060	60	2,4	60	2,4	52,29	1
S	LUAD 60.100	60	2,4	100	3,9	67,06	1
S	LUAD 60.200	60	2,4	200	7,9	111,18	1
E3	LUAD 60.060 E3	60	2,4	60	2,4	63,00	1
E3	LUAD 60.100 E3	60	2,4	100	3,9	72,00	1
E3	LUAD 60.200 E3	60	2,4	200	7,9	108,00	1
E3	LUAD 100.100 E3	100	3,9	100	3,9	145,00	1

Please use LST... snapin splice plates for proper mechanical and electrical connections.

Splice plates have to be ordered separately.

↑ Height 60 mm	↑ Nominal 2 1/4 Inches	↑ Height 100 mm	↑ Nominal 4 Inches
----------------------	------------------------------	-----------------------	--------------------------



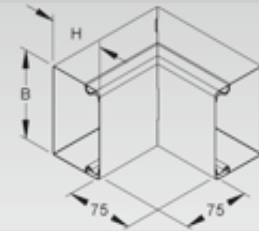
Inside Elbow 90°

cover included

	Model no.	Height H		Width B		Weight per 100 pcs/ kg	Pack/ Box Qty
		mm	Inch	mm	Inch		
S	LUIC 40.040	40	1,6	40	1,6	19,39	8
S	LUIC 40.060	40	1,6	60	2,4	26,51	8
S	LUIC 60.060	60	2,4	60	2,4	38,61	8
S	LUIC 60.100	60	2,4	100	3,9	48,59	8
S	LUIC 60.150	60	2,4	150	5,9	73,86	4
S	LUIC 60.200	60	2,4	200	7,9	89,28	4
S	LUIC 80.080	80	3,1	80	3,1	52,56	8
S	LUIC 100.100	100	3,9	100	3,9	78,71	4
E3	LUIC 40.040 E3	40	1,6	40	1,6	19,67	1
E3	LUIC 40.060 E3	40	1,6	60	2,4	26,84	1
E3	LUIC 60.060 E3	60	2,4	60	2,4	45,00	1
E3	LUIC 60.100 E3	60	2,4	100	3,9	58,00	1
E3	LUIC 60.200 E3	60	2,4	200	7,9	89,00	1
E3	LUIC 80.080 E3	80	3,1	80	3,1	58,00	1
E3	LUIC 100.100 E3	100	3,9	100	3,9	74,00	1

Please use LST... snapin splice plates for proper mechanical and electrical connections.
Splice plates have to be ordered separately.

Height 40 mm	Standard 1 1/2 Inches	Height 60 mm	Standard 2 1/4 Inches	Height 80 mm	Standard 3 Inches	Height 100 mm	Standard 4 Inches
--------------------	-----------------------------	--------------------	-----------------------------	--------------------	-------------------------	---------------------	-------------------------



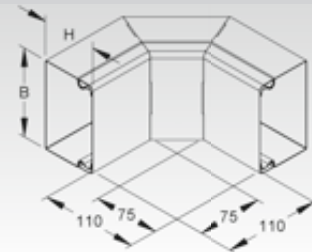
Wide Radius Elbow (2x45°)

cover included

	Model no.	Height H		Width B		Weight per 100 pcs/ kg	Pack/ Box Qty
		mm	Inch	mm	Inch		
S	LUID 60.060	60	2,4	60	2,4	46,86	1
S	LUID 60.100	60	2,4	100	3,9	58,50	1
S	LUID 60.200	60	2,4	200	7,9	106,12	1
E3	LUID 60.060 E3	60	2,4	60	2,4	54,00	1
E3	LUID 60.100 E3	60	2,4	100	3,9	68,55	1
E3	LUID 60.200 E3	60	2,4	200	7,9	107,00	1
E3	LUID 100.100 E3	100	3,9	100	3,9	105,00	1

Please use LST... snapin splice plates have to be ordered separately

Height 60 mm	Standard 2 1/4 Inches	Height 100 mm	Standard 4 Inches
--------------------	-----------------------------	---------------------	-------------------------



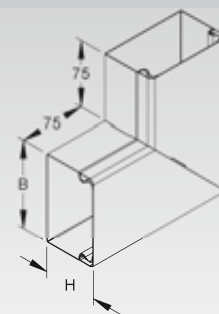
Elbow 90°

cover included

	Model no.	Height H		Width B		Weight per 100 pcs/ kg	Pack/ Box Qty
		mm	Inch	mm	Inch		
S	LUWC 40.040	40	1,6	40	1,6	19,28	8
S	LUWC 40.060	40	1,6	60	2,4	30,11	8
S	LUWC 60.060	60	2,4	60	2,4	40,51	8
S	LUWC 60.100	60	2,4	100	3,9	59,75	8
S	LUWC 60.150	60	2,4	150	5,9	108,21	4
S	LUWC 60.200	60	2,4	200	7,9	151,63	4
S	LUWC 80.080	80	3,1	80	3,1	55,37	8
S	LUWC 100.100	100	3,9	100	3,9	84,09	4
E3	LUWC 40.040 E3	40	1,6	40	1,6	19,49	1
E3	LUWC 40.060 E3	40	1,6	60	2,4	30,44	1
E3	LUWC 60.060 E3	60	2,4	60	2,4	47,00	1
E3	LUWC 60.100 E3	60	2,4	100	3,9	61,00	1
E3	LUWC 60.200 E3	60	2,4	200	7,9	107,00	1
E3	LUWC 80.080 E3	80	3,1	80	3,1	62,50	1
E3	LUWC 100.100 E3	100	3,9	100	3,9	83,00	1

Please use LST... snapin splice plates for proper mechanical and electrical connections.
Splice plates have to be ordered separately.

Height 40 mm	Standard 1 1/2 Inches	Height 60 mm	Standard 2 1/4 Inches	Height 80 mm	Standard 3 Inches	Height 100 mm	Standard 4 Inches
--------------------	-----------------------------	--------------------	-----------------------------	--------------------	-------------------------	---------------------	-------------------------

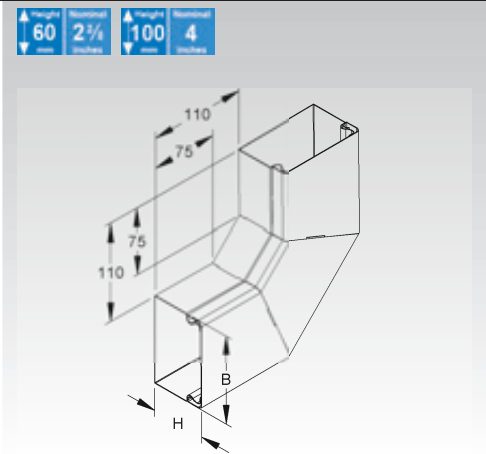


CHANNEL CABLE TRAY

Wide Radius Elbow (2x45°)

Model no.		Height H	Width B	Weight per 100 pcs kg	Pack/ Box Qty
		mm Inch	mm Inch		
S	LUWD 60.060	60 2,4	60 2,4	48,62	1
S	LUWD 60.100	60 2,4	100 3,9	68,35	1
S	LUWD 60.200	60 2,4	200 7,9	160,18	1
E3	LUWD 60.060 E3	60 2,4	60 2,4	57,00	1
E3	LUWD 60.100 E3	60 2,4	100 3,9	74,00	1
E3	LUWD 60.200 E3	60 2,4	200 7,9	128,00	1
E3	LUWD 100.100 E3	100 3,9	100 3,9	98,00	1

Please use LST... snapin splice plates for proper mechanical and electrical connections.
Splice plates have to be ordered separately.

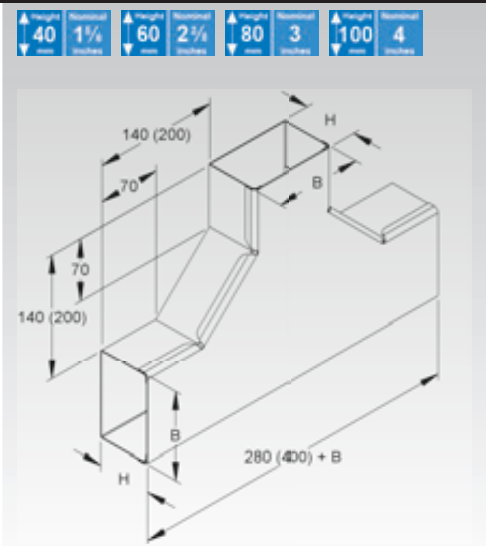


Wide Radius Tee

cover included

Model no.		Height H	Width B	Weight per 100 pcs/ kg	Pack/ Box Qty
		mm Inch	mm Inch		
S	LUTC 40.060	40 1,6	60 2,4	92,36	2
S	LUTC 60.060	60 2,4	60 2,4	106,50	2
S	LUTC 60.100	60 2,4	100 3,9	145,29	2
S	LUTC 60.150	60 2,4	150 5,9	200,84	1
S	LUTC 60.200	60 2,4	200 7,9	264,25	1
S	LUTC 80.080	80 3,1	80 3,1	206,97	1
S	LUTC 100.100	100 3,9	100 3,9	252,37	1
E3	LUTC 40.060 E3	40 1,6	60 2,4	92,92	1
E3	LUTC 60.060 E3	60 2,4	60 2,4	107,15	1
E3	LUTC 60.100 E3	60 2,4	100 3,9	146,19	1
E3	LUTC 60.200 E3	60 2,4	200 7,9	265,90	1
E3	LUTC 80.080 E3	80 3,1	80 3,1	208,26	1
E3	LUTC 100.100 E3	100 3,9	100 3,9	253,95	1

Size of run and tap tray must be identical.
The dimensions put in parentheses are for models LUTC 80.080 and 100.100 only.
Please use LST... snapin splice plates for proper mechanical and electrical connections.
Splice plates have to be ordered separately.

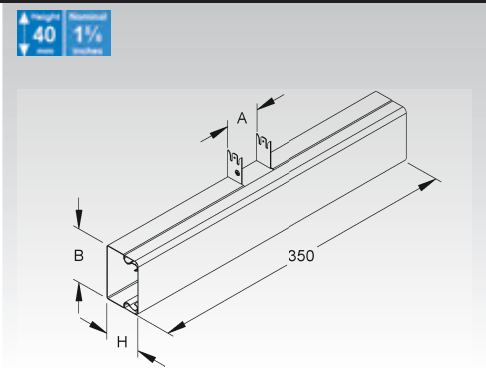


Horizontal Tee

cover included

Model no.		Height H	Width B	width of exit A	Weight per 100 pcs kg	Pack/ Box Qty
		mm Inch	mm Inch	mm		
S	LUT 40.040.040	40 1,6	40 1,6	40	33,52	2
S	LUT 40.060.040	40 1,6	60 2,4	40	46,65	2
E3	LUT 40.040.040 E3	40 1,6	40 1,6	40	33,82	2
E3	LUT 40.060.040 E3	40 1,6	60 2,4	40	47,03	2

H x B = height and width of the tee fitting
A = width of the 90° tee exit
Please use LST... snapin splice plates for proper mechanical and electrical connections.
Splice plates have to be ordered separately.



Horizontal Tee

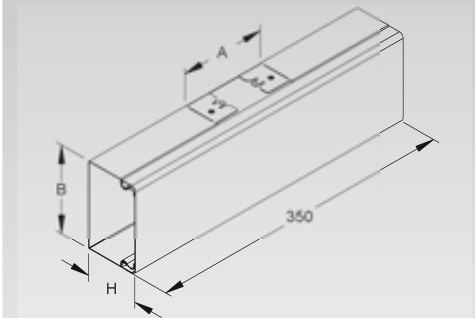
cover included

	Model no.	Height H		Width B		width of exit A	Weight per 100 pcs kg	Pack/Box Qty
		mm	Inch	mm	Inch			
S	LUT 60.060.060	60	2,4	60	2,4	60	59,76	2
S	LUT 60.100.060	60	2,4	100	3,9	60	80,79	2
S	LUT 60.100.100	60	2,4	100	3,9	100	79,15	2
S	LUT 60.150.060	60	2,4	150	5,9	60	121,21	2
S	LUT 60.150.100	60	2,4	150	5,9	100	119,26	2
S	LUT 60.150.150	60	2,4	150	5,9	150	116,68	2
S	LUT 60.200.060	60	2,4	200	7,9	60	146,79	2
S	LUT 60.200.100	60	2,4	200	7,9	100	144,82	2
S	LUT 60.200.150	60	2,4	200	7,9	150	142,25	2
S	LUT 60.200.200	60	2,4	200	7,9	200	139,68	2
S	LUT 80.080.080	80	3,1	80	3,1	80	79,79	2
S	LUT 100.100.100	100	3,9	100	3,9	100	107,45	2
E3	LUT 60.060.060 E3	60	2,4	60	2,4	60	64,66	2
E3	LUT 60.100.060 E3	60	2,4	100	3,9	60	88,90	2
E3	LUT 60.100.100 E3	60	2,4	100	3,9	100	87,04	2
E3	LUT 60.200.060 E3	60	2,4	200	7,9	60	133,90	2
E3	LUT 60.200.100 E3	60	2,4	200	7,9	100	132,04	2
E3	LUT 60.200.200 E3	60	2,4	200	7,9	200	127,40	2
E3	LUT 80.080.080 E3	80	3,1	80	3,1	80	88,13	2
E3	LUT 100.100.100 E3	100	3,9	100	3,9	100	104,95	2

H x B = height and width of the tee fitting
A = width of the 90° tee exit

Please use LST... snapin splice plates for proper mechanical and electrical connections.
Splice plates have to be ordered separately.

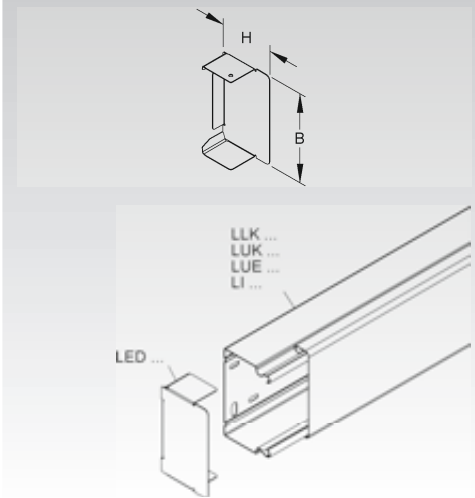
Height 60 mm	Standard 2%	Height 80 mm	Standard 3	Height 100 mm	Standard 4
--------------------	----------------	--------------------	---------------	---------------------	---------------



End-Cap

	Model no.	Height H		Width B		Weight per 100 pcs kg	Pack/Box Qty
		mm	Inch	mm	Inch		
S	LED 40.040	40	1,6	40	1,6	1,70	6
S	LED 40.060	40	1,6	60	2,4	2,50	6
S	LED 60.060	60	2,4	60	2,4	3,88	6
S	LED 60.100	60	2,4	100	3,9	5,62	6
S	LED 60.150	60	2,4	150	5,9	7,81	6
S	LED 60.200	60	2,4	200	7,9	9,99	6
S	LED 80.080	80	3,1	80	3,1	6,32	6
S	LED 100.100	100	3,9	100	3,9	9,40	6
E3	LED 40.040 E3	40	1,6	40	1,6	1,94	6
E3	LED 40.060 E3	40	1,6	60	2,4	2,50	6
E3	LED 60.060 E3	60	2,4	60	2,4	4,15	6
E3	LED 60.100 E3	60	2,4	100	3,9	6,03	6
E3	LED 60.200 E3	60	2,4	200	7,9	10,71	6
E3	LED 80.080 E3	80	3,1	80	3,1	6,79	6
E3	LED 100.100 E3	100	3,9	100	3,9	10,08	6

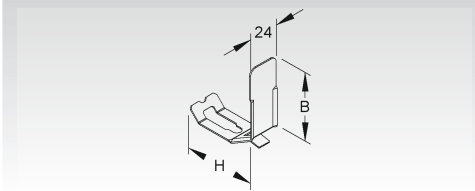
Height 40 mm	Standard 1%	Height 60 mm	Standard 2%	Height 80 mm	Standard 3	Height 100 mm	Standard 4
--------------------	----------------	--------------------	----------------	--------------------	---------------	---------------------	---------------



Cable Retainer Clamp

	Model no.	Height H		Width B		Weight per 100 pcs kg	Pack/Box Qty
		mm	Inch	mm	Inch		
E2	LHS 60.100 E2	60	2,4	55	2,2	2,03	20
E2	LHS 60.150 E2	60	2,4	105	4,1	2,99	20
E2	LHS 60.200 E2	60	2,4	155	6,1	3,95	20
E2	LHS 80.080 E2	80	3,1	35	1,4	1,85	20
E2	LHS 100.100 E2	100	3,9	55	2,2	2,47	20

Height 60 mm	Standard 2%	Height 80 mm	Standard 3	Height 100 mm	Standard 4	
--------------------	----------------	--------------------	---------------	---------------------	---------------	--



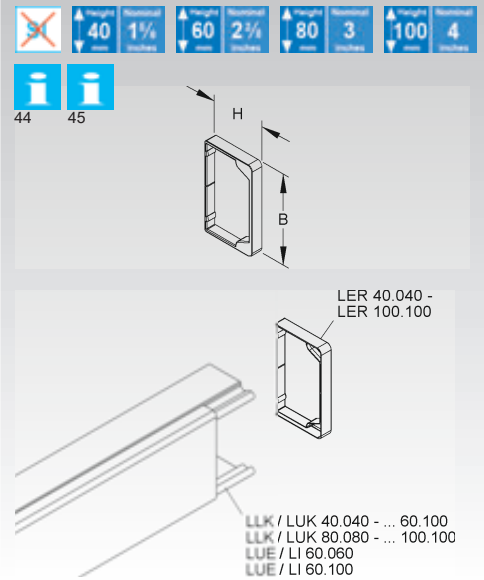
CHANNEL CABLE TRAY

End-Protection Ring

Model no.	Height H		Width B		Similar to RAL	Weight per 100 pcs kg	Pack/Box Qty
	mm	Inch	mm	Inch			
K04 LER 40.040	40	1,6	40	1,6	7021	0,33	10
K04 LER 40.060	40	1,6	60	2,4	7021	0,40	10
K04 LER 60.060	60	2,4	60	2,4	7021	0,49	10
K04 LER 60.100	60	2,4	100	3,9	7021	0,65	10
K04 LER 80.080	80	3,1	80	3,1	7021	1,23	10
K04 LER 100.100	100	3,9	100	3,9	7021	1,54	10

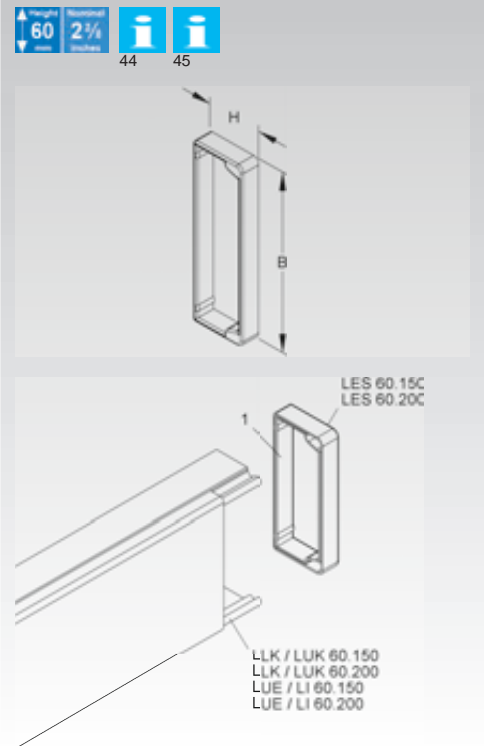
contains no silicone

End caps LER... can be attached to the channel cable tray after installation.



End-Protection Ring

Model no.	Height H		Width B		Color	Weight per 100 pcs kg	Pack/Box Qty
	mm	Inch	mm	Inch			
K10 LES 60.150	60	2,4	150	5,9	black	4,71	10
K10 LES 60.200	60	2,4	200	7,9	black	5,85	10



Conversion table of dimensions



1 inch = 25.4 millimeters (mm)

1 millimeter (mm) = 0.039 inch

Material Thickness																
mm	0.6	0.75	0.8	0.9	1.0	1.5	2.0	2.5	3.0	3.5	4.0	4.5	5.0	6.0	7.0	8.0
inch	0.02	0.03	0.03	0.04	0.04	0.06	0.08	0.10	0.12	0.14	0.16	0.18	0.20	0.24	0.28	0.31

Product Length																
mm	30	40	50	70	80	85	90	100	120	130	150	200	250	300	350	400
inch	1.18	1.57	1.97	2.76	3.15	3.35	3.54	3.94	4.72	5.12	5.91	7.87	9.84	11.81	13.78	15.75
mm	450	500	550	600	700	800	900	1000	1100	1200	1300	1400	1500	1600	1700	1800
inch	17.72	19.69	21.65	23.62	27.56	31.50	35.43	39.37	43.31	47.24	51.18	55.12	59.06	62.99	66.93	70.87
mm	1900	2000	3000	4500	6000											
inch	74.80	78.74	118.11	177.17	236.22											

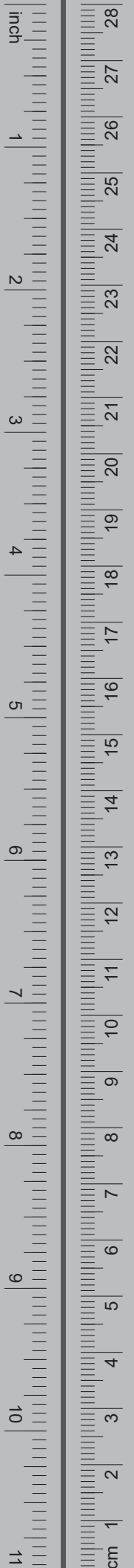
Product Width																
mm	40	50	60	70	75	90	100	120	150	200	250	300	400	500	550	600
inch	1.57	1.97	2.36	2.76	2.95	3.54	3.94	4.72	5.91	7.87	9.84	11.81	15.75	19.69	21.65	23.62
mm	700	800	900	1000	1100	1200										
inch	27.56	31.50	35.43	39.37	43.31	47.24										

Product Height																
mm	10	15	20	25	30	35	40	50	60	85	100	105	110	150	200	
inch	0.39	0.59	0.79	0.98	1.18	1.38	1.57	1.97	2.36	3.35	3.94	4.13	4.33	5.91	7.87	

1 pound (lbs) = 0.453 kilogram (kg)

1 kilogram (kg) = 2.204 pounds (lbs)

Product Weight																
kg	10	20	30	40	45	50	55	60	65	70	75	80	85	90	95	100
lbs	22.05	44.09	66.14	88.18	99.21	110.23	121.25	132.28	143.30	154.32	165.35	176.37	187.39	198.42	209.44	220.46
kg	105	110	115	120	125	130	135	140	150	160	170	180	190	200	210	220
lbs	231.49	242.50	253.53	264.55	275.58	286.60	297.62	308.65	330.69	352.74	374.79	396.83	418.88	440.92	462.97	485.02



USA

Niedax Inc.
2970 Charter Street
Columbus, OH 43228

Tel: +1 614 921 8469

sales@niedaxusa.com
www.niedaxusa.com

Mexico

Niedax de Mexico S.A. de C.V.
Calle San Bernardo 9A
Puebla, Mexico C.P. 72730

Tel: +52 222 485 0586

salesmex@niedax.com
www.niedaxmex.com

Headquarters

Niedax GmbH & Co. KG
Asbacher Straße 141
D-53545 Linz/Germany

Tel: +49 2644 56060

export@niedax.de
www.niedax.de



NX 0130 01_US

2020